



# Product Guide

## Roller Shade Collection



# Features

## QMotion offers state-of-the-art natural light control with the following benefits:

### Several different control options

- QMotion Shades offer the convenience of moving the shade up or down, stopping at any of the top, the bottom, three programmable intermediate stops, or anywhere in between; all with the ease of a button press.
- *Lose your remote? No problem!* QMotion shades can be moved up or down manually with no remote control. Simply give the shade a gentle pull to get them started.
- *Interested in reducing your energy bills?* The programmable timer remote can be set up to move your QMotion shade automatically. Automate your shades by time of day, day of week, sunrise, or sunset. Create six distinct settings and let the shades do the rest.
- *Want to control multiple shades with just one remote?* QMotion multi-channel remote controls 6 individual shades or 6 groups of shades all with one remote control. Each channel can have an unlimited number of shades programmed to it.

### Unmatched quietness

- QMotion engineers developed a shade with quiet operation for a beautiful and peaceful experience.

### Distinctive designs

- Generous fabric collection of light filtering, decorative and beautiful blackout materials.

- Industry leading light gaps on the sides of the shades as small as 1/2" gap on each side, providing the most uniform and highest level of window coverage.

### Unparalleled simplicity

- QMotion automated shades are powered by a low voltage power supply, or an internal pack of standard D-cell batteries.
- Batteries can last three to five years or more, dramatically reducing maintenance cost and adding convenience. (Shade size and usage will determine actual battery life.)
  - No cords
  - No electrician
  - No wires
  - No special tools
- QMotion battery operated shades are shipped with the batteries installed in the shade tube, for the convenience of our customers. We believe this convenient benefit allows for ease of installation.





## Options

### **QMotion advanced shade solutions allow for a customized experience.**

#### The look you want

- QMotion shades offer *several choices of fascia* to conceal the top of the roller shade. Choices include a painted fascia and a fabric wrapped fascia.

#### The design you need

- Shades come in *either standard roll or reverse roll*. Standard roll shades have the fabric rolling off the back of the roll close to the window, while reverse roll shades come off the front of the shade roll, and are further from the window glass. Reverse roll may be a preference for design purposes, or may be needed to permit the shade to lower clear of window obstructions.

#### The number you want

- Our *dual shade system* allows users to choose a combination of two shades on the same window. Often used with a light filtering fabric in the front and with a room darkening fabric closest to the glass, QMotion dual shades are an excellent way to double treat a window in a small space.



#### The choice you prefer

- Transformer low voltage power supply is a wired power solution for those who want the benefits of QMotion Automated shades with a connection to the facility electrical system. Available in a single unit, or one which can power up to four shades or in a panel solution for as many as 16 shades. Low voltage shades deliver all the benefits of QMotion technology.
- Battery powered QMotion Shades offer the same benefits as low voltage powered, and add the ability to install in difficult situations as well as function in the absence of electrical supply. Because QMotion battery powered shades use an internal battery pack, there are no visible battery packs or wires to hide or see.

#### Customization that's right for you

- Choose from our assortment of remote controls. Among the choices is our programmable timer control which allows for setting of times for unattended shade movement or our multichannel remote to control various shade groups from a single hand held remote. All remotes fit on our magnetic wall docking stations, and may be secured in place using our wall station adapter.
- As our programming is simple, all shades arrive ready to “learn” to your remotes. A shade may be controlled by as many as 12 different remotes.
- Combine groups and remotes for your convenience. A channel can be for a single shade or a group of shades, and various groups can be programmed to suit the space.



## Shade Information

**Finally, the luxury and safety of automated shades, completely free of cords and wires, are accessible to everyone.**

### Order specifics

- Shades ship complete with brackets and batteries, as needed, ready to install.
- Shades may be specified standard or reverse roll.
- If desired, a 24v low voltage transformer power option may be specified.

### Size limitations

- For AA batteries, the minimum width is 15 1/2" and the maximum width is 22", bracket to bracket.
- For AA batteries, the maximum height is 96".
- Minimum width 17 1/2" with low voltage power.
- Maximum width 144" for standard shades.
- Maximum height 144" for standard shades.
- Consult fabric tables for available fabric heights, widths and more specific size availability.

### Roll size

- Roll up diameter or RUD is determined by the size of the shade and fabric chosen.
- Extra length of material will be added to the height of the shade in order to allow the fabric to wrap around the tube when fully rolled down.

### Safe by Design

- Shades come in an endless range of colors and finishes, but when buying shades for your home, you must consider the way they are operated.

- A shade which is safe by design is one that is cordless or has concealed or tensioned cords.
- Qdanced and Qfree roller shades are cordless by design.

### Fabric orientation and size

- All shades ship with fabric oriented in the vertical roll direction from the mill.
- If a shade in a group is railroaded, you have the option to railroad all shades in the group to match.
- Railroading is available on select fabrics only.
- Seaming is available in all fabrics.
- The seam will be placed near the top of the shade unless specified otherwise.

### Qadvanced Roller Shades

The design of QMotion delivers a simpler, sophisticated automated shade that offers both ease of use and dependability.

- Long battery life.
- Advanced electronics are designed to be more responsive and durable.
- Easy to program.
- Extended range and enhanced responsiveness to control devices.
  - 30 feet or more in most applications (each installation is different, and environmental factors may effect results.)
- Low voltage wired shades can accommodate left or right side connection.





# Narrow Shade Information

**QMotion is now offering the World’s Narrowest Battery Operated Shades. The smallest, fully concealed-clutch roller shade of its kind has arrived.**

## Order Specifics

- The minimum width is 15 1/2” and the maximum width is 22”, bracket to bracket. **(15 5/8 for inside mount)**
- The maximum height is 96”.
- Uses three AA alkaline batteries.
- Battery Expectancy is 1 to 1 1/2 years or more.
- May use lithium batteries for longer battery life. For lithium batteries, life expectancy is 2 years or more.
- Currently available in battery operated shades only.
- For added convenience each shade ships with batteries.

## Motor Control Assembly with indicated batteries required



QADVANCED ROLLER SHADE MOTOR/CONTROLLER ASSEMBLIES

NUMBER & SIZE OF BATTERIES	MCA PART NUMBER	BRACKET-TO-BRACKET MINIMUM WIDTH	BRACKET-TO-BRACKET MAXIMUM WIDTH
3AA	9500268	15.5 (394mm)	22.0 (559mm)
3D	9500119	22.0 (559mm)	24.75 (629mm)
4D	9500120	24.75 (629mm)	42.0 (1067mm)
6D	9500121	29.75 (756mm)	96.0 (2438mm)
8D	9500122	34.75 (883mm)	144.0 (3658mm)





## Shade Information and Side Channels

### Tube and hembar size

- Tube and hembar diameters vary depending on the height and width of your shade.
- Hembars are available in painted or fabric wrapped. Paint colors are white, sand, anodized silver, bronze and black.
- Hembar is 3/4"
- Light blocking wool pile is integrated into the head rail cover for inside mount shades. Available in black or white.
- Easy Fabric Removal – Demounting the tubes or brackets for cleaning is unnecessary.
- The new WP hembar (0.875") allows for tighter fabric attachment for a smooth appearance with no wrinkles or ripples.

### Side gaps

- 1/2" industry leading side gaps are uniform on each side of the shade.
- Fabric width will be 1" narrower than the specified bracket to bracket dimensions.

### Tilt Out Side Channels and Sill Angle

- New two-piece tilt out design allows for easier installation in window well or wall, for either back or side mount.

- Easier access to shade for battery change out.
- Side Channels and Sill Angles offer an additional light control solution by covering the sides and bottom of the window. (Shade fascias block the light at the top of the window.)
- Side Channels are 2 5/8" wide by 1 5/16" deep.
- The fabric travels inside them with a light blocking wool pile located in 3 positions to aid in minimizing additional light seepage from non-straight wall/ window well construction to assist with better light control.
- Side Channels and accompanying Sill Angles come in any of the 5 standard colors (White, Anodized Silver, Sand, Bronze, or Black).
- Sill Angle is "L"-shaped, and can be oriented to show either 2" or 1.15" face toward room.
- Fits into fascia to ensure maximum room darkening.
- Max size is 144" x 144" (depending on fabric).
- Side Channels are used with new WP hembar (0.875")
- No fabric wrapped hembar.
- Shades used with side channels require larger deduction.

Note: The new tilt out Side Channels must be ordered at the same time shades are ordered, and cannot be ordered for shades that were previously ordered or installed. These side channels are not available as a post installation upgrade.



# Battery Life and Range Expectations

**QMotion shades offer the longest battery life in the industry.**

QMotion Shades lead the industry in battery life, with our patented technology by putting the batteries inside the tube providing superior aesthetics with no power wires or antenna showing.

- Our shades use both D-cell and AA alkaline batteries. The battery life for D-cell is on average 3 to 5 years, depending on shade size and usage. The battery life for AA alkaline batteries for the narrow shades is 1 to 2 years. For longer battery life AA lithium batteries can be used.
- While balance is important, most shades are not moving most of the day. The shade must be ready to accept a command 24/7, that means the shade must be awake and listening to commands at all times. QMotion engineers have painstakingly designed software and hardware that minimize battery usage when the shade is not being used. Our technology stretches battery life, resulting in industry leading time between battery changes.
- QMotion battery operated shades are shipped with the batteries installed in the shade tube. This benefit allows for an easy installation. Individual battery life is dependent on many factors and if your shades do not appear to be operating efficiently, check the voltage level of each battery and replace as needed.
- QMotion uses patented techniques to manage the weight of the shade as it is lowered.
- Battery life is dependent on shade usage and shade size. Larger shades, when used more, will have lower battery life expectancy when compared to smaller shades used less frequently.

## Battery Replacement

Easy Battery Replacement - By placing the access port for the batteries in the shade tube wall, you can now change the batteries without having to remove the shade from the brackets.



Product	Expected Range* in Feet
Single Channel	50 - 100
Multi Channel	30 - 80
Timer Remote	20 - 50
Qconnect	50 - 100
Qrelay	30 - 100
Qsync	75 - 100

\*Environmental conditions may affect individual results.



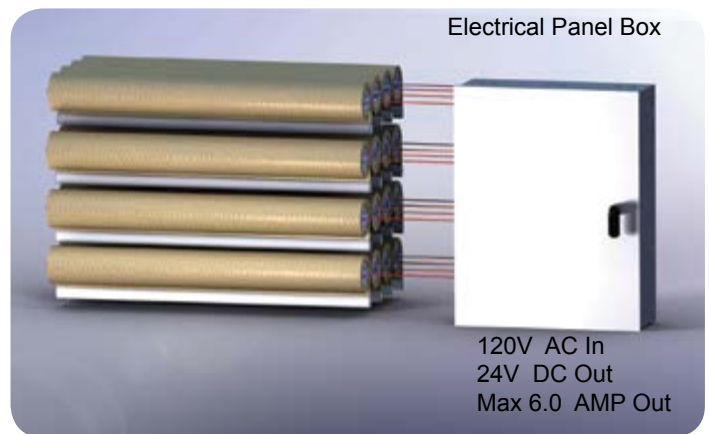
# Low Voltage Transformer Information

QMotion Low Voltage shades offer all the same features of QMotion Battery powered shades, and are compatible with fascia as well as controls.

- Battery tube is replaced with transformer leads.
- Each shade comes with a 24" wire lead.
- Tube is configured to convert low voltage into the proper level to power the shade.
- Power supply options are available to power one shade or multiple shades.
- The power supply can be at the header with the shade, on the floor near the shade or in an equipment room several hundred feet away from
- In Single Shade Option, a plug-in power supply provides 24v DC to the shade.
- Low voltage single shades are controlled with the same wireless RF remote as the battery option shades.
- With the Low Voltage Distribution Box the power supply is designed to distribute the appropriate power to as many as four shades.
- The power distribution panel sends power individually up to sixteen shades. The panel also provides protection against short circuit or overload to individual shades.

- 24v to 48v power input accepted.
- QMotion Low Voltage shades continue to offer the unique and patented manual override system.

*\*Electrical Panel Box system may be equipped with a customer supplied battery back up system, in the case of a site power event.*

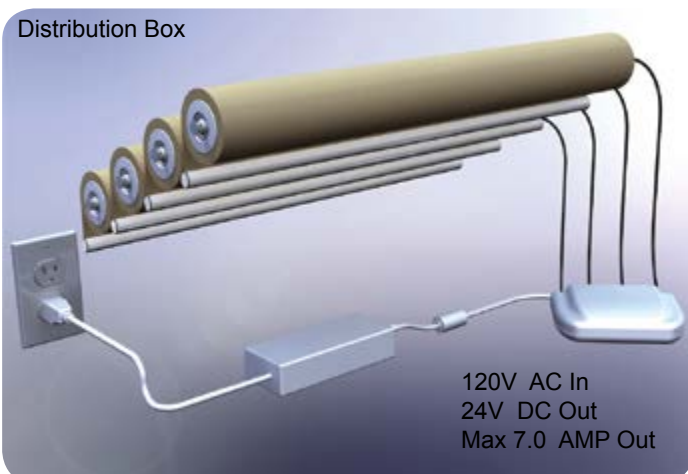


## Wire Gauge Requirements

QMotion does not supply the wires from the transformer to the shades. Recommended minimum wire gauge requirements for distances between power supply and shade or distribution box and shade are as follows for the required 2 conductor cables:

Wire Length (ft.) 24v	Min. Wire Gauge
1500-3000	12
1200-1500	14
700-1200	16
500-700	18
0-500	20

**\*\*Consult your local electricity provider or state regulatory agency for their guidelines regarding cable installation. Comply with all building codes, safety regulations and legal standards.**







## Cassette Shades

### Qcassette

QMotion motorized Cassette Roller Shades are powered by the same innovative battery saving technology used in all of our roller shades. This Cassette was designed for a soft elegant look with easy installation in mind.

- Fully enclosed shade system covers top and back with aluminum, and shade rises fully into cassette.
- Installation of this single shade cassette is literally a “snap” with two simple spring clips needed.
- Light blocking wool pile integrated into the top for more complete finish and better light management.
- Curved front cover is a vinyl material engineered to be durable and attractive, while making installation and battery changes simple.
- Coordinated front cover in 5 standard laminated colors. White, Black, Bronze, Sand and Silver.
- Painted or fabric wrapped hem bar.
- Easy access for battery operated shade through pivoting front cover.
- Available on shades up to 96 inches x 96 inches, with limited fabric exceptions. Max RUD of 2.9”.
- End covers included with all cassette systems.
- Light Gaps are 3/4 “ on each side, 1 1/2” total.



The QMotion Cassette back extrusion is a durable structural aluminum, designed to mount securely and retain the QMotion system.



## Qlink Coupled Shades

### Qlink

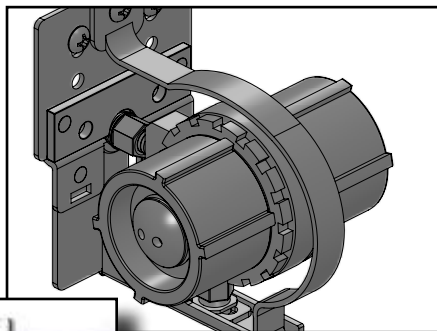
By using the Qlink coupling system, shades can cover spans as wide as 24 feet by 10 feet with a single motor with up to 7 panels per Qlink. The linked shade's unique coupling system supports 1" hembars.

- Multi-window coverage without wiring, or use our low voltage system.
- Manual override option - shades can be operated manually at all times.
- Shades retain long battery life.
- Adjustable installation brackets for proper shade leveling.
- Available in back, side, and top (ceiling) mount.
- All other QMotion features and benefits continue to apply.
- Cover with QMotion snap on fascia.
- Qlink coupled shade mounting brackets are compatible with standard QMotion mounting brackets.



### Ordering Information

- Standard roll has motorized shade on left.
- Reverse roll has motorized shade on the right.
- All shades must use same fabric.
- The shades must have same height.
- Choose either White or Black for Qlink coupler.
- Bracket enables adjustments for height and depth.
- "Sprung shade" refers to the opposite end from the motorized shade.
- Maximum recommended panel size is 7 panels.
- Multiple bands on one tube may be needed to properly motorize and counter balanced.



Total Shade	
Minimum Battery Shade Width	32 inches
Minimum Low Voltage Shade Width	17 Inches
Minimum Inner Width	17 inches
Minimum Inner Sprung Width (application dependent)	17 inches
Minimum System Width	49 inches
Minimum Number of Panels	2
Maximum System Width	24 feet
Maximum Height (see fabric tables)	120 inches
Battery Available	Yes
Low Voltage Available	Yes
Fascia Available	Yes
Light Gap Between Bands	1.125 inches



## Non-Motorized Shades

**Simplicity, elegance, and affordability from QMotion coordinates a beautiful look.**



Qfree shades are identical in look to QMotion Automated Shades. Each Qfree shade is designed with the same quality engineering and offers exceptional child safety through the lack of continuous cords.

- Fully adjustable upper limit.
- Integrated braking system.
- Fully compatible with QMotion automated shades and brackets.
- Shades over 22 1/2" wide may, at some time, be motorized in the future for a surcharge (t.b.a.).
- Minimum width of 14" wide.
- Shades up to 120" wide x 120" high, check fabric charts for specific fabric capabilities.
- Easily positioned to be standard or reverse roll.
- Easy fabric change with spline.



Each Qbasic shade comes standard with a chain tensioner that meets current industry safety requirements.

Qbasic clutch type manual shade is anything but your basic shade. Qbasic delivers the styles you want that surpass similar clutch type manual shades.

- Easy pull gear reduction clutch allows for smooth and lower force operation.
- Endcaps are available in white or black.
- Minimum width of 7" (dependent on length).
- Shades up to 120" wide x 144" high.
- Quick roller tube release from end bracket for easy removal.
- Nickel plated chain with stainless steel upgrade available.

### Qbasic Specifications

Clutch Type	QB-17	QB-28	QB-17	QB-28
Tube Diameter	1 1/2" Standard	1 1/2" Snap On Fascia	2" Standard	2" Snap On Fascia
Maximum Width	108"	108"	120"	120"
Maximum Height	144"	144"	144"	144"
Maximum lbs	17 1/2	28 1/2	17 1/2	28 1/2
Light Gap	9/16"	9/16"	9/16"	9/16"
Minimum Inside Depth	3 3/16"	3 9/16"	3 3/16"	3 9/16"
Tube Diameter	1 1/2"	1 1/2"	2"	2"
Gear Reduction	20%	30%	20%	30%
Snap On Fascia Available	No	Yes	No	Yes



## Mounting Brackets

### Bracket options to suit installation needs.

#### Several styles

- There are several different mounting brackets offered depending on application requirements:
  - 2.6 Universal                      3.3 Universal
  - 2.6 Snap On Fascia      3.3 Snap On Fascia
  - 4.3 Snap On Fascia



#### Roll size guidelines

- Roll size is determined at the time an order is quoted and is dependent on material thickness, tube diameter, and the height of the shade. Fabric listing tables provide the maximum shade height for 2.6" brackets and 3.3" brackets depending on fabric type and width of shade.
- Specify top or back mount and standard or reverse roll on order form.
- All brackets may be side mounted.



#### Brackets Applications

- Non-fascia shades ship with universal brackets.
- Pocket applications fit best with our 2" or 3" pocket closure. Please note bracket requests on order form.
- Dual shade applications ship with dual brackets.
- 3.3" universal bracket is shipped for all outside mount applications with roll diameters greater than 2.6".
- Verify bracket dimensions in the space where the shades will be installed. Accommodate space to install roll in pocket and reverse roll applications.
- **Please refer to bracket illustrations section.**
- The numerical designation represents the maximum size roll diameter the bracket can support. 2.6" brackets accommodate roll sizes from 2.0" - 2.6". 3.3" brackets accommodate roll sizes from 2.6" - 3.3".





## Fascia

### **A special accent piece that adds to the beauty of QMotion shades.**

Including fashionable, color-coordinated fascias will enhance both the form and function of your QMotion Shades. Easily mounted either inside or outside the window width, fascias attractively conceal the shade system while adding to the light protection your shades were designed to provide. So they're pretty and practical, all in one.

- Choose from five standard colors: White, Silver, Sand, Bronze, and Black or fabric wrapped to match your shade.
- Fabric wrapped options cover the entire front face and bottom face of fascia.
- All fascia orders include color-coordinated endcaps.

- Some fabrics are not available to be wrapped on QMotion Fascias. This is due to their inability to be attached in an appropriately aesthetic fashion.

Please contact Customer Service for current details - 877.849.6070.



- All fascia includes light sealing wool pile to further assist in light blocking on the top of the shade.
- All fabric wrapped fascia ship with the same fabric and fabric color as the shade, unless otherwise requested.
- Shipping charges for fascia are included with the shade if ordered with the shade, unless there are excess size charges from the freight carrier.
- Fascia not ordered to fit individual shades will be charged additional shipping charges.







## Fascia Cont.

- To ensure proper fit and function, inside mount fascia are cut  $\frac{1}{16}$ " less than the top window width.
- For applications when fascia depth does not meet the minimum depth requirements, please contact your customer care representative for fit and finish options.
- For inside mount applications, where window opening depth exceeds shade and fascia depth, no endcaps are needed.
- Endcaps extend  $\frac{1}{16}$ " beyond fascia.

### Fascia endcap options

- Fascia endcaps provide a clean look to the sides of the fascia on outside mounts or when the fascia extends out from the window frame on inside mounts.
- Endcaps are color coordinated with fascia.
- All fascia orders include endcaps.
- For inside mount applications, if fascia extends beyond opening, endcaps may be cut in the field for custom fit.



### Pocket Closure

- To conceal the lower front of a pocket installation, QMotion offers the Pocket Closure system.
- This simple two part system installs easily, and conceals the front bottom of installed shades.
- Sections are cut to size, and available up to 12.5 foot lengths, and the Closure sections are available in either 2" or 3" depths, for the best possible match in the design.
- Available in white only.

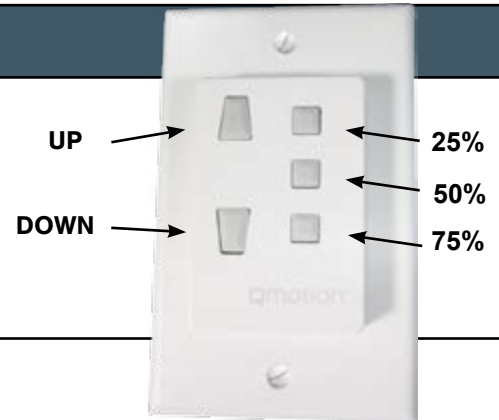


## QMotion Controls

The range of remote control of a shade is dependent on type of controller, type of shade, bracket, fascia and installation environment. Individual results may vary, and may be less in some environments due to obstructions in the path of the signal, such as walls, appliances, and/or electromagnetic interference from other electronic devices, many customers have reported even better results.

### QMotion Single Channel 5 Button Remote

- 5 buttons to support up, down, 25% 50%, 75%
- Magnetic back for simple storing to wall plates
- Controls unlimited number of shades in a group
- Normal remote range: 50-100 feet



### QMotion Programmable Timer Remote

- Program automated settings in addition to the single channel 5 button remote controls
- Low transmission power, must locate close to shades or Qrelay
- Supports as many as 6 events
- Windows PC programmable only
- Time of day, days of week, sunrise/sunset settings
- Normal remote range: 20-50 feet



### QMotion Multichannel Remote

- Up to 6 individual or group settings, unlimited number of shades per group
- All shades programmed to a multichannel remote are controlled together with an "ALL" button on same remote
- Supports up, down, 25%, 50%, 75% actions
- LED light feedback
- Motion activated zone indicated when remote is tapped or moved
- Normal remote range: 30-80 feet





## QMotion Qconnect

**The Qconnect Interface is a bridge between our language and most building or home automation systems. With drivers for many popular systems, and easy programming tools, clients can easily drive QMotion Automated shades with their new or existing automation systems.**

- RS-232 serial
- RS-485 serial
- Dry contact interface
- 15 channel
- 9v DC power supply or power over CAT 5
- Desk or wall mountable
- 4,000 foot wiring range
- Normal remote range: 50-100 feet

**Qconnect is compatible with:**



## QMotion Qrelay

**Each installation is different, and environmental factors may have an effect on transmission. In some cases, a Qrelay may be helpful in improving signal reception. To consider in advance, if a room is over 12'x12', or a shade is 30' from where it would be controlled, the Qrelay is recommended. As these dimensions increase, the Qrelay will become increasingly helpful, and spaces significantly larger may even benefit from more than one Qrelay.**

- Extends range of all QMotion remotes
- Use as many as required in an installation (no limits)
- Powered from a wall outlet or from a powered USB port
- Two modes of operation "Zone Specific" and "Echo"
  - Zone specific mode allows individual remotes to be learned to the repeater
  - Echo mode repeats all valid Qmotion remote commands
- Normal remote range: 30-100 feet





## QMotion App and Qsync

### QMotion Smartphone Application “App” Features:

- Control QMotion shades with iOS and Android mobile devices
- Virtual Shade: Drag your finger to place the shade to the desired positions
- “Plug and Play” - Easy Set-up
- Channel System to name, take and set reference photo to group shades and create “scenes”
- Step by Step setup for learning, setting lower limit, and deleting shades
- Control nearly 500 shades or unlimited number of shades per group from each Qsync
- TCP/IP to 433Mhz bridge
- Set up once and settings sync to other smartphones and tablets on the network
- **Must Have Qsync Control Unit**
- **Controls are very fluid, very responsive**



## QMotion Hembar Activation

**QMotion Shades incorporate patented and unique tug features that allow the shade to open with just a short tug, or be lowered without the remote.**

### **Tug the hembar less than 1”**

- Shade opens to next highest preset position (example: shade moves from 75% to 50%)

### **Tug the hembar downward between 1” - 2”**

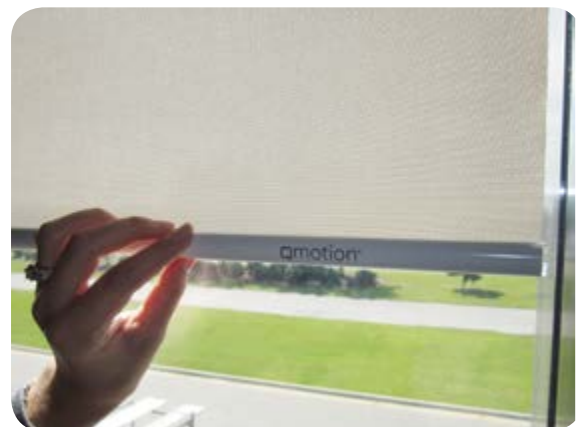
- Shade moves to full open

### **Tug the hembar MORE than 2”**

- Shade remains at position stopped until pulled or sent up with a remote

### **Two successive tugs MORE than 2” in 10 seconds**

- Shade moves to full open





## QMotion Wall Docking Station

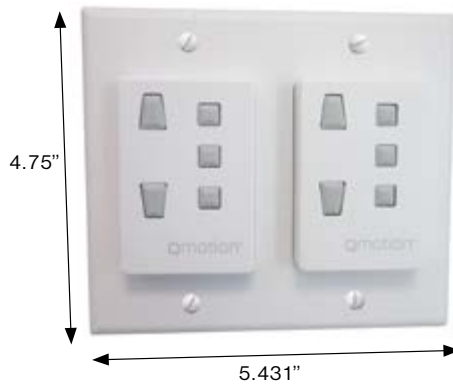
For the convenience of the user, consider QMotion Wall Docking Stations. Available in Single, Double or Triple gang versions, these wall plates are built to install on a wall as a place to retain the transmitters used in a project. Remote controls hold in place on the Docking Station via a strong magnet, and allow the remote controls to be used as a wall switch for a third level of control for the shades. Wall plates are flush mounted and do not require routing a hole in drywall or other mounting wall finishes. For public spaces, or other places where a remote should be “permanently” attached to a wall, our Wall Station Adaptors mount around the remotes, making them virtually impossible to remove without a screwdriver.



Single Wall Station



Double Wall Station



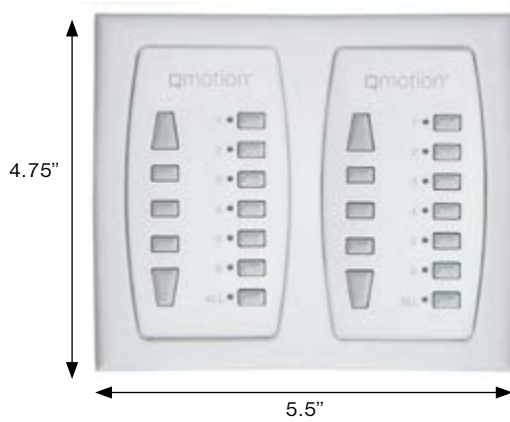
Triple Wall Station



Multichannel-Single



Multichannel-Double



Wall Station Adaptors







## Fabric Listings

These charts are for **QMotion Automated and Qfree Manual shades**. They are designed to provide extensive details on the shades that we produce with our systems.

Note the grey sections on the charts. This means the fabric is unable to be motorized at the coordinating dimensions, as some materials cannot be railroaded. The numbers in each cell indicate the diameter of the rolled fabric when raised to the top. Fabric suppliers have variation in their weaves, but this information is based on our tested data for each material.

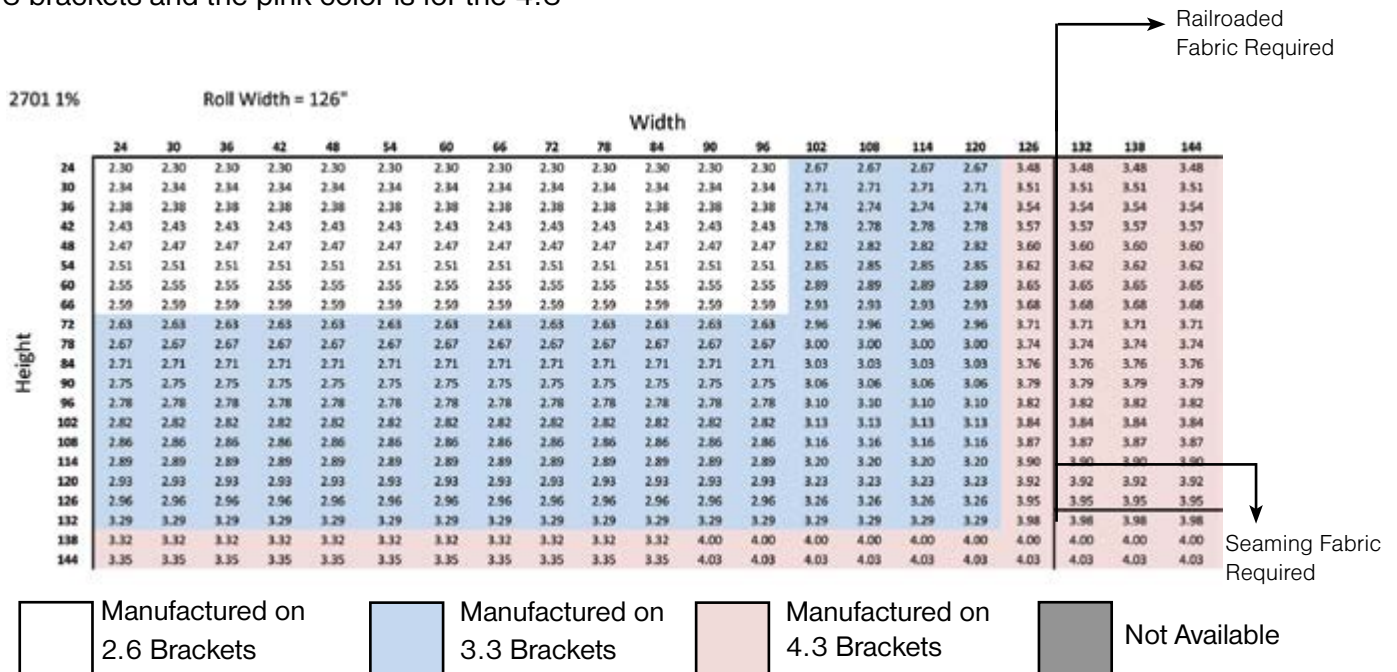
The section in the white color indicates that the shade will be manufactured on our 2.6 brackets. The section in light blue color will be made on the 3.3 brackets and the pink color is for the 4.3

brackets. For actual bracket size please refer to Bracket Illustrations section in this guide.

For fabrics that can't be railroaded, check fabric roll width for maximum shade width. Roll width is listed next to each fabric name. For fabrics that can be railroaded, see fabric charts in the guide.

The dark vertical line going through the graph indicates the size at which we would railroad the fabric, if available. The horizontal line indicates a seam is required. Not all railroaded fabrics will require a seam.

At this time, we are only producing shades as large as 144" in width and up to 144" in height. Additional sizes may be available in the near future.



### Fabric Selections (Charts on the following 12 pages):

2701-1%	4400-3%	Chantilly	Edessa	E-Screen-1%	Flocke	Linen	Natural Screen	SW 2500-1%
2703-3%	4800-1%	Chantilly Blkt	E-Screen-10%	Eternity	Infinity-5%	Matte	Oasis	Tones
2705-5%	Avila Twilight	Cirrus	E-Screen-5%	Eternity Pearl	Infinity-3%	Metallic	SW 2390-5%	Tones Blackout
4000-5%	Bali	Columns	E-Screen-3%	Fiji	Island	M-Screen	SW 2410-3%	Vizela

















Natural Screen

Width

	15.5	18	24	30	36	42	48	54	60	66	72	78	84	90	96	102	108	114	120	126	132	138	144	
24	2.23	2.23	2.23	2.23	2.23	2.23	2.23	2.23	2.23	2.23	2.23	2.23	2.23	2.23	2.23	2.61	2.61							
30	2.27	2.27	2.27	2.27	2.27	2.27	2.27	2.27	2.27	2.27	2.27	2.27	2.27	2.27	2.27	2.64	2.64							
36	2.30	2.30	2.30	2.30	2.30	2.30	2.30	2.30	2.30	2.30	2.30	2.30	2.30	2.30	2.30	2.67	2.67							
42	2.34	2.34	2.34	2.34	2.34	2.34	2.34	2.34	2.34	2.34	2.34	2.34	2.34	2.34	2.34	2.70	2.70							
48	2.37	2.37	2.37	2.37	2.37	2.37	2.37	2.37	2.37	2.37	2.37	2.37	2.37	2.37	2.37	2.73	2.73							
54	2.41	2.41	2.41	2.41	2.41	2.41	2.41	2.41	2.41	2.41	2.41	2.41	2.41	2.41	2.41	2.76	2.76							
60	2.44	2.44	2.44	2.44	2.44	2.44	2.44	2.44	2.44	2.44	2.44	2.44	2.44	2.44	2.44	2.79	2.79							
66	2.47	2.47	2.47	2.47	2.47	2.47	2.47	2.47	2.47	2.47	2.47	2.47	2.47	2.47	2.47	2.82	2.82							
72	2.50	2.50	2.50	2.50	2.50	2.50	2.50	2.50	2.50	2.50	2.50	2.50	2.50	2.50	2.50	2.85	2.85							
78	2.54	2.54	2.54	2.54	2.54	2.54	2.54	2.54	2.54	2.54	2.54	2.54	2.54	2.54	2.54	2.87	2.87							
84	2.57	2.57	2.57	2.57	2.57	2.57	2.57	2.57	2.57	2.57	2.57	2.57	2.57	2.57	2.57	2.90	2.90							
90	2.60	2.60	2.60	2.60	2.60	2.60	2.60	2.60	2.60	2.60	2.60	2.60	2.60	2.60	2.60	2.93	2.93							
96	2.63	2.63	2.63	2.63	2.63	2.63	2.63	2.63	2.63	2.63	2.63	2.63	2.63	2.63	2.63	2.96	2.96							
102			2.66	2.66	2.66	2.66	2.66	2.66	2.66	2.66	2.66	2.66	2.66	2.66	2.66	2.98	2.98							
108			2.69	2.69	2.69	2.69	2.69	2.69	2.69	2.69	2.69	2.69	2.69	2.69	2.69	3.01	3.01							
114			2.72	2.72	2.72	2.72	2.72	2.72	2.72	2.72	2.72	2.72	2.72	2.72	2.72	3.04	3.04							
120			2.75	2.75	2.75	2.75	2.75	2.75	2.75	2.75	2.75	2.75	2.75	2.75	2.75	3.06	3.06							
126			3.09	3.09	3.09	3.09	3.09	3.09	3.09	3.09	3.09	3.09	3.09	3.09	3.09	3.09	3.09							
132			3.11	3.11	3.11	3.11	3.11	3.11	3.11	3.11	3.11	3.11	3.11	3.11	3.83	3.83	3.83							
138			3.14	3.14	3.14	3.14	3.14	3.14	3.14	3.14	3.14	3.14	3.14	3.14	3.85	3.85	3.85							
144								3.87	3.87	3.87	3.87	3.87	3.87	3.87	3.87	3.87	3.87	3.87						

Cirrus

Width

	15.5	18	24	30	36	42	48	54	60	66	72	78	84	90	96	102	108	114	120	126	132	138	144	
24	2.15	2.15	2.15	2.15	2.15	2.15	2.15	2.15	2.15	2.15	2.15	2.15	2.15	2.15	2.15	2.53	2.53							
30	2.17	2.17	2.17	2.17	2.17	2.17	2.17	2.17	2.17	2.17	2.17	2.17	2.17	2.17	2.17	2.55	2.55							
36	2.19	2.19	2.19	2.19	2.19	2.19	2.19	2.19	2.19	2.19	2.19	2.19	2.19	2.19	2.19	2.57	2.57							
42	2.21	2.21	2.21	2.21	2.21	2.21	2.21	2.21	2.21	2.21	2.21	2.21	2.21	2.21	2.21	2.59	2.59							
48	2.24	2.24	2.24	2.24	2.24	2.24	2.24	2.24	2.24	2.24	2.24	2.24	2.24	2.24	2.24	2.61	2.61							
54	2.26	2.26	2.26	2.26	2.26	2.26	2.26	2.26	2.26	2.26	2.26	2.26	2.26	2.26	2.26	2.63	2.63							
60	2.28	2.28	2.28	2.28	2.28	2.28	2.28	2.28	2.28	2.28	2.28	2.28	2.28	2.28	2.28	2.65	2.65							
66	2.30	2.30	2.30	2.30	2.30	2.30	2.30	2.30	2.30	2.30	2.30	2.30	2.30	2.30	2.30	2.67	2.67							
72	2.32	2.32	2.32	2.32	2.32	2.32	2.32	2.32	2.32	2.32	2.32	2.32	2.32	2.32	2.32	2.68	2.68							
78	2.35	2.35	2.35	2.35	2.35	2.35	2.35	2.35	2.35	2.35	2.35	2.35	2.35	2.35	2.35	2.70	2.70							
84	2.37	2.37	2.37	2.37	2.37	2.37	2.37	2.37	2.37	2.37	2.37	2.37	2.37	2.37	2.37	2.72	2.72							
90	2.39	2.39	2.39	2.39	2.39	2.39	2.39	2.39	2.39	2.39	2.39	2.39	2.39	2.39	2.39	2.74	2.74							
96	2.41	2.41	2.41	2.41	2.41	2.41	2.41	2.41	2.41	2.41	2.41	2.41	2.41	2.41	2.41	2.76	2.76							
102			2.43	2.43	2.43	2.43	2.43	2.43	2.43	2.43	2.43	2.43	2.43	2.43	2.43	2.77	2.77							
108			2.45	2.45	2.45	2.45	2.45	2.45	2.45	2.45	2.45	2.45	2.45	2.45	2.45	2.79	2.79							
114			2.81	2.81	2.81	2.81	2.81	2.81	2.81	2.81	2.81	2.81	2.81	2.81	2.81	2.81	2.81							
120			2.83	2.83	2.83	2.83	2.83	2.83	2.83	2.83	2.83	2.83	2.83	2.83	2.83	2.83	2.83							
126			2.85	2.85	2.85	2.85	2.85	2.85	2.85	2.85	2.85	2.85	2.85	2.85	2.85	2.85	3.60							
132			2.86	2.86	2.86	2.86	2.86	2.86	2.86	2.86	2.86	2.86	2.86	2.86	2.86	3.62								
138										3.63	3.63	3.63	3.63	3.63	3.63	3.63	3.63							
144										3.65	3.65	3.65	3.65	3.65	3.65	3.65	3.65							

SW 2390 5%

Width

	15.5	18	24	30	36	42	48	54	60	66	72	78	84	90	96	102	108	114	120	126	132	138	144	
24	2.19	2.19	2.19	2.19	2.19	2.19	2.19	2.19	2.19	2.19	2.19	2.19	2.19	2.19	2.19	2.57	2.57	2.57	2.57	3.40	3.40	3.40	3.40	
30	2.22	2.22	2.22	2.22	2.22	2.22	2.22	2.22	2.22	2.22	2.22	2.22	2.22	2.22	2.22	2.60	2.60	2.60	2.60	3.41	3.41	3.41	3.41	
36	2.25	2.25	2.25	2.25	2.25	2.25	2.25	2.25	2.25	2.25	2.25	2.25	2.25	2.25	2.25	2.62	2.62	2.62	2.62	3.43	3.43	3.43	3.43	
42	2.28	2.28	2.28	2.28	2.28	2.28	2.28	2.28	2.28	2.28	2.28	2.28	2.28	2.28	2.28	2.65	2.65	2.65	2.65	3.45	3.45	3.45	3.45	
48	2.31	2.31	2.31	2.31	2.31	2.31	2.31	2.31	2.31	2.31	2.31	2.31	2.31	2.31	2.31	2.67	2.67	2.67	2.67	3.47	3.47	3.47	3.47	
54	2.33	2.33	2.33	2.33	2.33	2.33	2.33	2.33	2.33	2.33	2.33	2.33	2.33	2.33	2.33	2.69	2.69	2.69	2.69	3.49	3.49	3.49	3.49	
60	2.36	2.36	2.36	2.36	2.36	2.36	2.36	2.36	2.36	2.36	2.36	2.36	2.36	2.36	2.36	2.72	2.72	2.72	2.72	3.51	3.51	3.51	3.51	
66	2.39	2.39	2.39	2.39	2.39	2.39	2.39	2.39	2.39	2.39	2.39	2.39	2.39	2.39	2.39	2.74	2.74	2.74	2.74	3.53	3.53	3.53	3.53	
72	2.42	2.42	2.42	2.42	2.42	2.42	2.42	2.42	2.42	2.42	2.42	2.42	2.42	2.42	2.42	2.77	2.77	2.77	2.77	3.55	3.55	3.55	3.55	
78	2.44	2.44	2.44	2.44	2.44	2.44	2.44	2.44	2.44	2.44	2.44	2.44	2.44	2.44	2.44	2.79	2.79	2.79	2.79	3.56	3.56	3.56	3.56	
84	2.47	2.47	2.47	2.47	2.47	2.47	2.47	2.47	2.47	2.47	2.47	2.47	2.47	2.47	2.47	2.81	2.81	2.81	2.81	3.58	3.58	3.58	3.58	
90	2.49	2.49	2.49	2.49	2.49	2.49	2.49	2.49	2.49	2.49	2.49	2.49	2.49	2.49	2.49	2.84	2.84	2.84	2.84	3.60	3.60	3.60	3.60	
96	2.52	2.52	2.52	2.52	2.52	2.52	2.52	2.52	2.52	2.52	2.52	2.52	2.52	2.52	2.52	2.86	2.86	2.86	2.86	3.62	3.62	3.62	3.62	
102			2.55	2.55	2.55	2.55	2.55	2.55	2.55	2.55	2.55	2.55	2.55	2.55	2.55	2.88	2.88	2.88	2.88	3.64	3.64	3.64	3.64	
108			2.57	2.57	2.57	2.57	2.57	2.57	2.57	2.57	2.57	2.57	2.57	2.57	2.57	2.90	2.90	2.90	2.90	3.65	3.65	3.65	3.65	
114			2.60	2.60	2.60	2.60	2.60	2.60	2.60	2.60	2.60	2.60	2.60	2.60	2.60	2.93	2.93	2.93	2.93	3.67				





Tones

Width

	15.5	18	24	30	36	42	48	54	60	66	72	78	84	90	96	102	108	114	120	126	132	138	144	
24	2.17	2.17	2.17	2.17	2.17	2.17	2.17	2.17	2.17	2.17	2.17	2.17												
30	2.19	2.19	2.19	2.19	2.19	2.19	2.19	2.19	2.19	2.19	2.19	2.19												
36	2.22	2.22	2.22	2.22	2.22	2.22	2.22	2.22	2.22	2.22	2.22	2.22												
42	2.25	2.25	2.25	2.25	2.25	2.25	2.25	2.25	2.25	2.25	2.25	2.25												
48	2.27	2.27	2.27	2.27	2.27	2.27	2.27	2.27	2.27	2.27	2.27	2.27												
54	2.30	2.30	2.30	2.30	2.30	2.30	2.30	2.30	2.30	2.30	2.30	2.30												
60	2.32	2.32	2.32	2.32	2.32	2.32	2.32	2.32	2.32	2.32	2.32	2.32												
66	2.35	2.35	2.35	2.35	2.35	2.35	2.35	2.35	2.35	2.35	2.35	2.35												
72	2.37	2.37	2.37	2.37	2.37	2.37	2.37	2.37	2.37	2.37	2.37	2.37												
78	2.39	2.39	2.39	2.39	2.39	2.39	2.39	2.39	2.39	2.39	2.39	2.39												
84	2.42	2.42	2.42	2.42	2.42	2.42	2.42	2.42	2.42	2.42	2.42	2.42												
90	2.44	2.44	2.44	2.44	2.44	2.44	2.44	2.44	2.44	2.44	2.44	2.44												
96	2.47	2.47	2.47	2.47	2.47	2.47	2.47	2.47	2.47	2.47	2.47	2.47												
102		2.49	2.49	2.49	2.49	2.49	2.49	2.49	2.49	2.49	2.49	2.49												
108		2.51	2.51	2.51	2.51	2.51	2.51	2.51	2.51	2.51	2.51	2.51												
114		2.53	2.53	2.53	2.53	2.53	2.53	2.53	2.53	2.53	2.53	2.53												
120		2.89	2.89	2.89	2.89	2.89	2.89	2.89	2.89	2.89	2.89	2.89												
126		2.91	2.91	2.91	2.91	2.91	2.91	2.91	2.91	2.91	2.91	2.91												
132		2.93	2.93	2.93	2.93	2.93	2.93	2.93	2.93	2.93	2.93	2.93												
138										3.69	3.69	3.69	3.69											
144										3.70	3.70	3.70	3.70											

Tones Blackout

Width

	15.5	18	24	30	36	42	48	54	60	66	72	78	84	90	96	102	108	114	120	126	132	138	144	
24	2.20	2.20	2.20	2.20	2.20	2.20	2.20	2.20	2.20	2.20	2.20	2.20												
30	2.23	2.23	2.23	2.23	2.23	2.23	2.23	2.23	2.23	2.23	2.23	2.23												
36	2.26	2.26	2.26	2.26	2.26	2.26	2.26	2.26	2.26	2.26	2.26	2.26												
42	2.29	2.29	2.29	2.29	2.29	2.29	2.29	2.29	2.29	2.29	2.29	2.29												
48	2.32	2.32	2.32	2.32	2.32	2.32	2.32	2.32	2.32	2.32	2.32	2.32												
54	2.35	2.35	2.35	2.35	2.35	2.35	2.35	2.35	2.35	2.35	2.35	2.35												
60	2.38	2.38	2.38	2.38	2.38	2.38	2.38	2.38	2.38	2.38	2.38	2.38												
66	2.41	2.41	2.41	2.41	2.41	2.41	2.41	2.41	2.41	2.41	2.41	2.41												
72	2.44	2.44	2.44	2.44	2.44	2.44	2.44	2.44	2.44	2.44	2.44	2.44												
78	2.47	2.47	2.47	2.47	2.47	2.47	2.47	2.47	2.47	2.47	2.47	2.47												
84	2.49	2.49	2.49	2.49	2.49	2.49	2.49	2.49	2.49	2.49	2.49	2.49												
90	2.52	2.52	2.52	2.52	2.52	2.52	2.52	2.52	2.52	2.52	2.52	2.52												
96	2.55	2.55	2.55	2.55	2.55	2.55	2.55	2.55	2.55	2.55	2.55	2.55												
102		2.58	2.58	2.58	2.58	2.58	2.58	2.58	2.58	2.58	2.58	2.58												
108		2.60	2.60	2.60	2.60	2.60	2.60	2.60	2.60	2.60	2.60	2.60												
114		2.63	2.63	2.63	2.63	2.63	2.63	2.63	2.63	2.63	2.63	2.63												
120		2.98	2.98	2.98	2.98	2.98	2.98	2.98	2.98	2.98	2.98	2.98												
126		3.00	3.00	3.00	3.00	3.00	3.00	3.00	3.00	3.00	3.00	3.00												
132		3.02	3.02	3.02	3.02	3.02	3.02	3.02	3.02	3.02	3.02	3.02												
138		3.05	3.05	3.05	3.05	3.05	3.05	3.05	3.05	3.05	3.05	3.05												
144							3.79	3.79	3.79	3.79	3.79	3.79												

Chantily

Width

	15.5	18	24	30	36	42	48	54	60	66	72	78	84	90	96	102	108	114	120	126	132	138	144	
24	2.18	2.18	2.18	2.18	2.18	2.18	2.18	2.18	2.18	2.18	2.18	2.18	2.18	2.18										
30	2.21	2.21	2.21	2.21	2.21	2.21	2.21	2.21	2.21	2.21	2.21	2.21	2.21	2.21										
36	2.23	2.23	2.23	2.23	2.23	2.23	2.23	2.23	2.23	2.23	2.23	2.23	2.23	2.23										
42	2.26	2.26	2.26	2.26	2.26	2.26	2.26	2.26	2.26	2.26	2.26	2.26	2.26	2.26										
48	2.29	2.29	2.29	2.29	2.29	2.29	2.29	2.29	2.29	2.29	2.29	2.29	2.29	2.29										
54	2.32	2.32	2.32	2.32	2.32	2.32	2.32	2.32	2.32	2.32	2.32	2.32	2.32	2.32										
60	2.34	2.34	2.34	2.34	2.34	2.34	2.34	2.34	2.34	2.34	2.34	2.34	2.34	2.34										
66	2.37	2.37	2.37	2.37	2.37	2.37	2.37	2.37	2.37	2.37	2.37	2.37	2.37	2.37										
72	2.39	2.39	2.39	2.39	2.39	2.39	2.39	2.39	2.39	2.39	2.39	2.39	2.39	2.39										
78	2.42	2.42	2.42	2.42	2.42	2.42	2.42	2.42	2.42	2.42	2.42	2.42	2.42	2.42										
84	2.44	2.44	2.44	2.44	2.44	2.44	2.44	2.44	2.44	2.44	2.44	2.44	2.44	2.44										
90	2.47	2.47	2.47	2.47	2.47	2.47	2.47	2.47	2.47	2.47	2.47	2.47	2.47	2.47										
96	2.49	2.49	2.49	2.49	2.49	2.49	2.49	2.49	2.49	2.49	2.49	2.49	2.49	2.49										
102		2.52	2.52	2.52	2.52	2.52	2.52	2.52	2.52	2.52	2.52	2.52	2.52	2.52										
108		2.54	2.54	2.54	2.54	2.54	2.54	2.54	2.54	2.54	2.54	2.54	2.54	2.54										
114		2.57	2.57	2.57	2.57	2.57	2.57	2.57	2.57	2.57	2.57	2.57	2.57	2.57										
120		2.92	2.92	2.92	2.92	2.92	2.92	2.92	2.92	2.92	2.92	2.92	2.92	2.92										
126		2.94	2.94	2.94	2.94	2.94	2.94	2.94	2.94	2.94	2.94	2.94	2.94	2.94										
132		2.96	2.96	2.96	2.96	2.96	2.96	2.96	2.96	2.96	2.96	2.96	2.96	2.96										
138										3.71	3.71	3.71	3.71	3.71										
144										3.73	3.73	3.73	3.73	3.73										







# QMotion Fabric Listings

Collection	Fabric Name	Fabric #	Standard Color for endcaps, hembars & fascia	Collection	Fabric Name	Fabric #	Standard Color for endcaps, hembars & fascia
Avila Twilight	Black	80M0128	Black	E-Screen 3%	White/White	80M0058	White
Avila Twilight	Chocolate	80M0040	Bronze	E-Screen 5%	Charcoal/Bronze	80M0004	Bronze
Avila Twilight	Linen	80M0039	Sand	E-Screen 5%	Charcoal/Charcoal	80M0005	Black
Avila Twilight	Pearl	80M0037	White	E-Screen 5%	Linen/Linen	80M0132	Silver
Avila Twilight	Slate Grey	80M0041	Silver	E-Screen 5%	White/Linen	80M0003	White
Avila Twilight	White	80M0038	White	E-Screen 5%	White/White	80M0002	White
Bali	Marsh	80G0135	Bronze	E-Screen 10%	Charcoal/Bronze	80M0009	Bronze
Bali	Mocha	80G0136	Bronze	E-Screen 10%	Charcoal/Charcoal	80M0010	Black
Chantilly	Black	80J0216	Black	E-Screen 10%	Linen/Linen	80M0130	Silver
Chantilly	Brown	80J0215	Bronze	E-Screen 10%	Pearl/ Linen	80M0011	Silver
Chantilly	Cream	80J0212	Sand	E-Screen 10%	White/Linen	80M0008	White
Chantilly	Gray	80J0210	Silver	E-Screen 10%	White/White	80M0007	White
Chantilly	Khaki	80J0213	Sand	Eternity	Bronze	80J0223	Bronze
Chantilly	Silver	80J0211	Silver	Eternity	Gold	80J0222	Black
Chantilly	Toffee	80J0214	Bronze	Eternity	Silver	80J0221	Silver
Chantilly	White	80J0209	White	Eternity Pearl	Pearl Platinum	80J0224	Black
Chantilly Blackout	Black	80J0220	Black	Eternity Pearl	Pearl Silver	80J0225	Sand
Chantilly Blackout	Khaki	80J0219	Sand	Fiji	Latte	80G0133	Bronze
Chantilly Blackout	White	80J0217	White	Fiji	Mocha	80G0134	Bronze
Cirrus	Golden	80G0156	Sand	Flocke	Blanc	80M0043	White
Cirrus	Ivory	80G0155	White	Flocke	Chartreux	80M0046	Silver
Cirrus	White	80G0154	White	Flocke	Loutre	80M0045	Silver
Columns	Brown	80G0159	Bronze	Flocke	Mississippi	80M0044	Sand
Columns	Ivory	80G0158	Sand	Flocke	Sahel	80M0042	Sand
Columns	White	80G0157	White	Infiniti 3%	PG2 Almond	80P0095	Sand
Edessa	Artic	80M0256	White	Infiniti 3%	QG1 Barley	80P0098	Sand
Edessa	Beach	80M0254	Sand	Infiniti 3%	PG1 Cotton	80P0096	White
Edessa	Desert	80M0257	Sand	Infiniti 3%	VG1 Nickel	80P0099	Silver
Edessa	Glacier	80M0253	White	Infiniti 3%	VG4 Slate	80P0250	Silver
Edessa	Mesa	80M0259	Bronze	Infiniti 3%	PG4 Stone	80P0249	Silver
Edessa	Reef	80M0252	Sand	Infiniti 5%	PG2 Almond	80P0101	Sand
Edessa	Savannah	80M0255	Sand	Infiniti 5%	VG3 Bark	80P0106	Bronze
Edessa	Tundra	80M0258	Bronze	Infiniti 5%	QG1 Barley	80P0104	Sand
E-Screen 1%	Charcoal/Bronze	80M0055	Bronze	Infiniti 5%	PG1 Cotton	80P0102	White
E-Screen 1%	Charcoal/Charcoal	80M0056	Black	Infiniti 5%	VG2 Midnight	80P0103	Black
E-Screen 1%	Linen/Linen	80M0129	Silver	Infiniti 5%	PG4 Stone	80P0251	Silver
E-Screen 1%	White/Linen	80M0054	White	Island	Brown	80G0148	Bronze
E-Screen 1%	White/White	80M0053	White	Island	Cherry	80G0147	Sand
E-Screen 3%	Charcoal/Bronze	80M0060	Bronze	Island	Chocolate	80G0149	Bronze
E-Screen 3%	Charcoal/Charcoal	80M0061	Black	Island	Mushroom	80G0146	Sand
E-Screen 3%	Linen/Linen	80M0131	Silver	Linen	Beige	80G0142	Sand
E-Screen 3%	White/Linen	80M0059	White	Linen	Ivory	80G0141	Sand



# QMotion Fabric Listings

Collection	Fabric Name	Fabric #	Standard Color for endcaps, hembars & fascia	Collection	Fabric Name	Fabric #	Standard Color for endcaps, hembars & fascia
Linen	Mocha	80G0145	Bronze	SW 2410 3%	Beige Pearl Grey	80P0117	Sand
Linen	Mushroom	80G0143	Bronze	SW 2410 3%	Charcoal Chestnut	80P0120	Bronze
Linen	Toffee	80G0144	Bronze	SW 2410 3%	Charcoal Grey	80P0237	Silver
Linen	White	80G0140	White	SW 2410 3%	Oyster	80P0114	White
Matte	Black/White	80B0164	Black	SW 2410 3%	Oyster Beige	80P0115	Sand
Matte	Fawn	80B0162	Sand	SW 2410 3%	Oyster/Pearl Grey	80P0236	Silver
Matte	Linen	80B0161	Sand	SW 2703 3%	Oyster/Beige	80P0247	Sand
Matte	Stone Duplex	80B0163	Silver	SW 2703 3%	Oyster Charcoal	80P0070	Black
Matte	White	80B0160	White	SW 2703 3%	Oyster Chestnut	80P0069	Bronze
Metallic	Gold	80J0227	Bronze	SW 2703 3%	Oyster Pewter	80P0068	Silver
Metallic	Silver	80J0226	Silver	SW 4400 3%	Alabaster	80P0083	White
M-Screen	Charcoal/Sable	80M0019	Bronze	SW 4400 3%	Chalk	80P0082	White
M-Screen	Cocoa/Charcoal	80M0021	Bronze	SW 4400 3%	Ebony	80P0088	Black
M-Screen	White	80M0018	White	SW 4400 3%	Greystone	80P0085	Silver
M-Screen	White Stone	80M0020	White	SW 4400 3%	Pebblestone	80P0084	Sand
Nature Screen	Black	80G0150	Black	SW 4400 3%	Pewter	80P0086	Silver
Nature Screen	Grey	80G0151	Silver	SW 4400 3%	Tobacco	80P0087	Bronze
Nature Screen	Ivory	80G0153	White	SW 2390 5%	Beige Pearl Grey	80P0110	Sand
Nature Screen	White	80G0152	White	SW 2390 5%	Charcoal	80P0112	Silver
Oasis	Bronze	80G0138	Bronze	SW 2390 5%	Charcoal Chestnut	80P0113	Bronze
Oasis	Gold	80G0137	Sand	SW 2390 5%	Charcoal Grey	80P0239	Silver
Oasis	Platinum	80G0139	Black	SW 2390 5%	Oyster	80P0107	White
SW 2500 1%	Beige Pearl Grey	80P0124	Sand	SW 2390 5%	Oyser Beige	80P0108	Sand
SW 2500 1%	Charcoal	80P0126	Silver	SW 2390 5%	Oyster Pearl Grey	80P0238	Silver
SW 2500 1%	Charcoal Chestnut	80P0127	Bronze	SW 2705 5%	Oyster/Beige	80P0248	Sand
SW 2500 1%	Charcoal/Grey	80P0241	Silver	SW 2705 5%	Oyster Charcoal	80P0074	Black
SW 2500 1%	Oyster	80P0121	White	SW 2705 5%	Oyster Chestnut	80P0073	Bronze
SW 2500 1%	Oyster Beige	80P0122	Sand	SW 2705 5%	Oyster Pewter	80P0072	Silver
SW 2500 1%	Oyster/Pearl Grey	80P0240	Silver	SW 4000 5%	Alabaster	80P0076	White
SW 2701 1%	Oyster/Beige	80P0246	Sand	SW 4000 5%	Chalk	80P0075	White
SW 2701 1%	Oyster Charcoal	80P0066	Black	SW 4000 5%	Ebony	80P0081	Black
SW 2701 1%	Oyster Chestnut	80P0065	Bronze	SW 4000 5%	Greystone	80P0078	Silver
SW 2701 1%	Oyster Pewter	80P0064	Silver	SW 4000 5%	Pebblestone	80P0077	Sand
SW 4800 1%	Alabaster	80P0090	White	SW 4000 5%	Pewter	80P0079	Silver
SW 4800 1%	Chalk	80P0089	White	SW 4000 5%	Tobacco	80P0080	Bronze
SW 4800 1%	Clay	80P0244	Silver	Tones	Alabaster	80J0181	Silver
SW 4800 1%	Grey	80P0243	Silver	Tones	Aqua	80J0175	Silver
SW 4800 1%	Pearl	80P0245	White	Tones	Atlantic	80J0186	White
SW 4800 1%	Sand	80P0091	White	Tones	Black	80J0178	Black
SW 4800 1%	Taupe	80P0242	Sand	Tones	Blizzard	80J0195	White
SW 2410 3%	Beige	80P0116	Sand	Tones	Brown	80J0174	Bronze



# QMotion Fabric Listings

Collection	Fabric Name	Fabric #	Standard Color for endcaps, hembars & fascia	Collection	Fabric Name	Fabric #	Standard Color for endcaps, hembars & fascia
Tones	Carnation	80J0169	White	Tones	Sea Foam	80J0177	White
Tones	Cherry	80J0171	Sand	Tones	Sky Blue	80J0187	White
Tones	Cream	80J0194	Sand	Tones	Teal	80J0176	White
Tones	Desert	80J0193	Sand	Tones	Toffee	80J0173	Bronze
Tones	Gray	80J0179	Silver	Tones	Turquoise	80J0189	White
Tones	Light Gray	80J0180	Silver	Tones	Violet	80J0182	White
Tones	Majesty	80J0183	White	Tones	Wheat	80J0192	Sand
Tones	Navy	80J0184	Silver	Tones Blackout	Desert	80J0207	Sand
Tones	Otter	80J0190	Sand	Tones Blackout	Light Gray	80J0201	Silver
Tones	Powder	80J0188	White	Vizela	Blanc	80M0027	White
Tones	Red	80J0172	White	Vizela	Chartreux	80M0028	Silver
Tones	Rose	80J0170	White	Vizela	Loutre	80M0029	Silver
Tones	Royal Blue	80J0185	White	Vizela	Mississippi	80M0030	Sand
Tones	Sand	80J0191	Sand	Vizela	Sahel	80M0031	Sand

## Fabric Wrapped Fascias

Fabrics Able to be Fabric Wrapped	Fabrics Unable to be Fabric Wrapped
Chantilly	Avila
Cirrus	Edessa
E-Screen (All)	Fiji
Island	Bali
Linen	Columns
Nature	*Flocke'
Oasis	
Sheer Weave (All)	
Tones	
Vizela	
Infinity	
Eternity	
M-Screen/ M-Screen Deco	

Note : 120" is the max width to be fabric wrapped on a fascia for all fabric

\* All Blackout fabrics cannot be wrapped on a fascia; however, their non-blackout equivalents can be wrapped

\* Flocke' blackout's non-blackout equivalent: Vizela



# QMotion Fabric Railroading

Railroadable Fabrics	Max Shade Width Before Railroading (Bracket to Bracket)	Railroading Not Available in these Fabrics	Max Shade Width (Bracket to Bracket)
SW 2701 1%	126"	SW 4800 1%	96"
SW 2703 3%	126"	SW 4000 5%	98"
SW 2705 5%	126"	SW 4400 3%	98"
SW 2390 5%	126"	Fiji	110"
SW 2410 3%	126"	Bali	110"
SW 2500 1%	126"	Oasis	110"
E Screen 1%	122"	Infiniti	98"
E Screen 3%	122"	Linen	102"
E Screen 5%	122"	M-Screen	122"
E Screen 10 %	122"	M-Screen Deco	98"
E Screen 3% KB	122"	Island	110"
E Screen 5% KB	122"	Cirrus	110"
Vizela	94"	Columns	94"
Flocke'	94"	Tones	78"
Nature	110"	Chantilly	94"
Edessa	118" * see below	Eternity	94"
Avila Twilight	110" * see below	Metallic	78"

\* The Avila and Edessa materials are known to possibly “cup” on the ends when railroaded. QMotion will NOT warrant these railroaded materials for “cupping”

Note : Railroadable fabrics can be made 144”W x 144” L, but will require a seam (Qadvanced rollers only). Fabrics not able to be railroaded can be made 144” long.





## Customer's Own Material (C.O.M.)

In circumstances where the QMotion Shades fabric assortment is not similar to a desired material, customers may supply the fabric for the shade, and QMotion will manufacture the shade using this material. Often this is not using roller shade fabric and performance will vary with the type of finish of the fabric. Please verify with your fabric supplier that the fabric can perform properly on a flat roller shade.

For a nominal fee of \$50 (non refundable) a dealer can get a COM material qualified. To qualify COM material, the dealer must supply the following information to a QMotion Customer Service Representative: 1) Fabric specifications (weight & thickness) and 2) A 3' x 3' sample material shipped to 3400 Copter Rd, Pensacola, FL 32514. Note: Quotes using a COM material are not valid until qualified and approved by QMotion® engineers. QMotion reserves the right to decline any COM material that does not meet quality specifications. All fabric must be shipped to us in ready to use condition, as we will not inspect for quality. Contact our Customer Care Team for material and testing requirements.

## Special Ordered Material (S.O.M.)

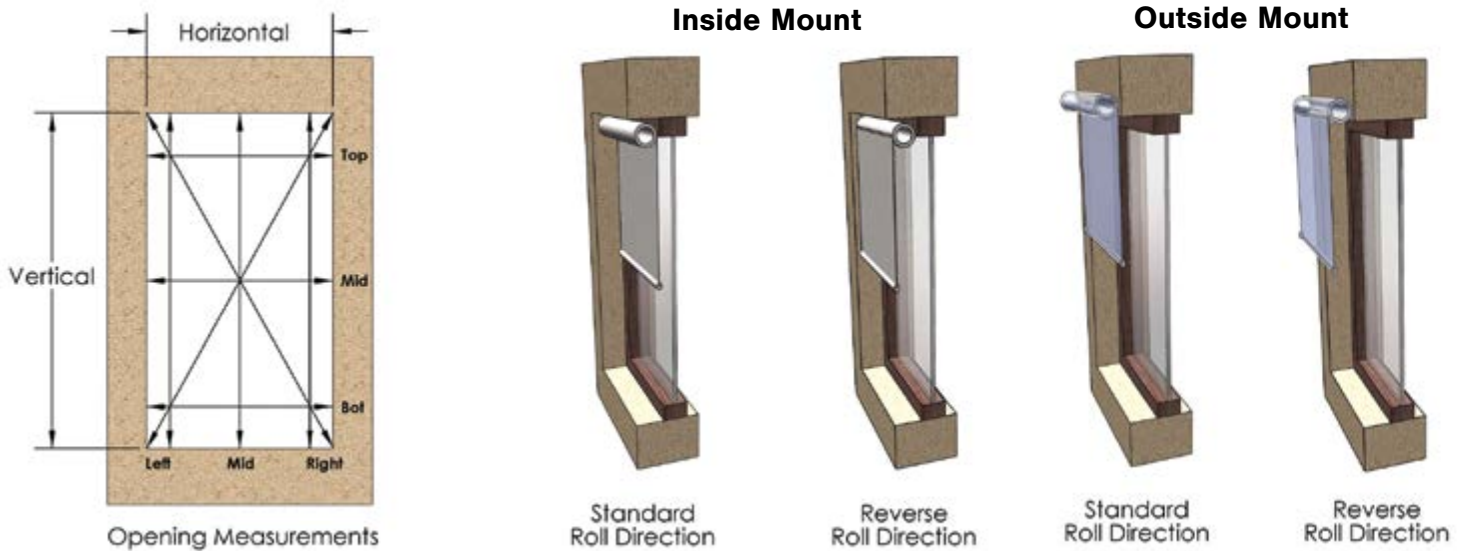
In cases where customers desire a material from a supplier of roller shade fabric. This may be colors of our standard styles which are not stocked, or styles from other major suppliers. Please consult with your QMotion Customer Service Representative for information about specific fabrics, including pricing and lead times.

*Note that in the case of both C.O.M. and S.O.M., there are extended lead times due to inbound freight and production scheduling.*





## QMotion Measurement Instructions



### Measure and assess area to be covered:

- Measure opening to be covered vertically and horizontally in three places.
- If vertical measurements vary more than  $\frac{1}{2}$ " we recommend an outside mount.
- If horizontal measurements vary more than  $\frac{1}{2}$ " we recommend an outside mount.
- Measure and compare diagonals to determine if opening is square.
- If corner to corner diagonal measurements vary more than  $\frac{1}{2}$ " we recommend an outside mount.
- Use a level to determine if opening is plumb and square.
- If out of square or out of plumb by more than  $\frac{1}{2}$ " we recommend an outside mount.

### Measurement rules:

- Make all measurements to the nearest  $\frac{1}{16}$ ". On inside mount applications, round down.
- Measure all windows, even if they appear to be the same size.

### Considerations:

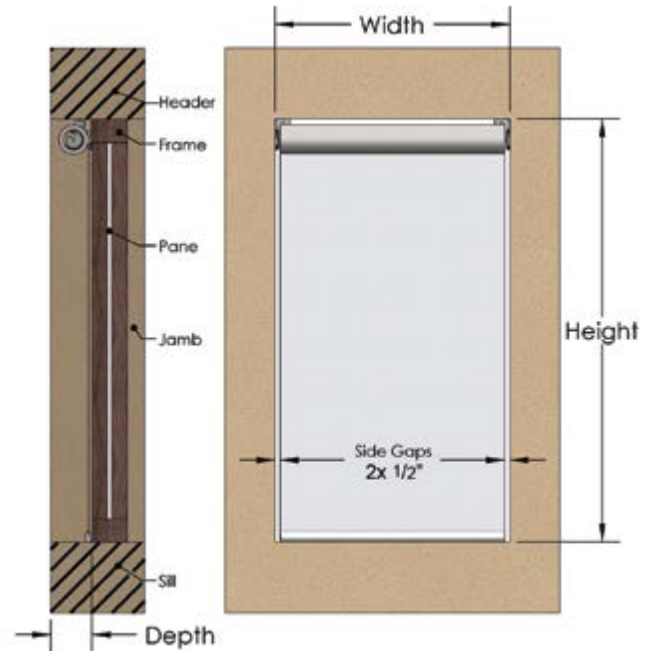
- There must be significant support structure to hold the shade, i.e. wood, concrete, anchored drywall, etc.
- For drywall you may use heavy duty auger style drywall anchors rated sufficient for the weight of the shade.
- Standard roll or reverse roll are available. Reverse roll may be needed to free shade path from obstructions, i.e. handles, locks, alarm sensors, molding, trim, etc.



## QMotion Measurement Instructions (cont.)

### Required order form measurements for **INSIDE MOUNT:**

- Use the top horizontal measurement for **TOP WIDTH**. This is outside of bracket to outside of bracket.
- Use the largest vertical measurement for **HEIGHT**.
- Measure and record **DEPTH**. Use the minimum distance from the outside of opening to the window including window mullions if they exist. This is important in determining if the shade and fascia will protrude into the room and out of the opening.



### Required order form measurements for **OUTSIDE MOUNT:**

- Determine **FABRIC WIDTH** based on largest horizontal measurement PLUS total desired side overlap.
- Minimum 1.5" side overlap is recommended.
- Establish **WIDTH** dimension by adding 1" to the **FABRIC WIDTH**. This is outside of bracket to outside of bracket. (Note: Brackets extend beyond **FABRIC WIDTH** by 1/2" on each side.)
- Determine **HEIGHT** by adding 3.25" to largest vertical measurement and desired **Sill overlap**.  
Note : Minimum 1" Sill overlap is recommended.

